

# Surge and Filter Specifications

Bulletin Numbers 4983-DC, 4983-DD, 4983-DC,4983-DH, 4983-DS, 4983-PF

Topic	Page
DIN Rail Heavy Duty AC Surge Protectors, 4983-DH	2
DIN Rail AC Power Surge Protective Device, 4983-DS	3
DIN Rail Dataline Surge Protective Device, 4983-DD	4
Panel Mount Filter 4983-PF	5
DIN Rail Combination Filter and Surge Protective Device 4983-DC	8

## Additional Resources

These documents contain additional information concerning related products from Rockwell Automation.

Resource	Description
Industrial Automation Wiring and Grounding Guidelines, publication <a href="#">1770-4.1</a>	Provides general guidelines for installing a Rockwell Automation industrial system.
Product Certifications website, <a href="http://www.ab.com">http://www.ab.com</a>	Provides declarations of conformity, certificates, and other certification details.

You can view or download publications at <http://www.rockwellautomation.com/literature/>. To order paper copies of technical documentation, contact your local Allen-Bradley distributor or Rockwell Automation sales representative.

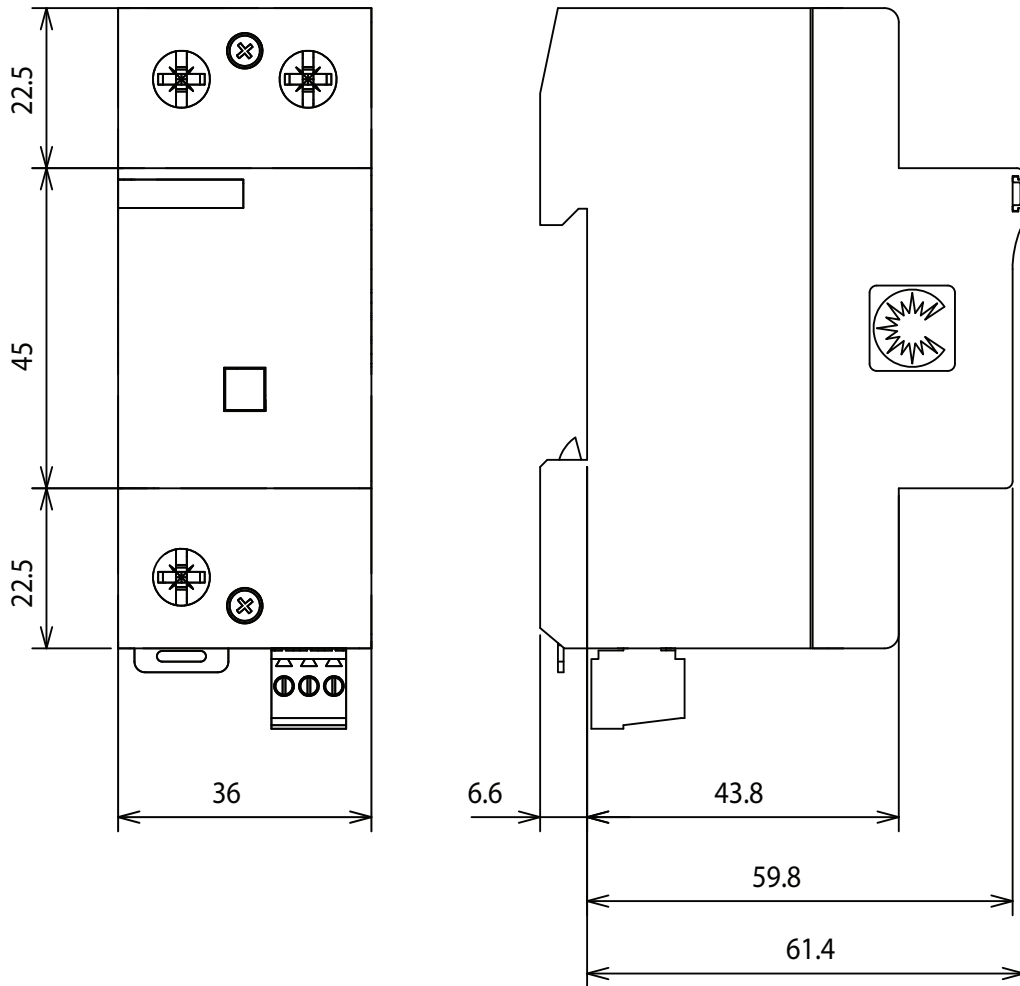


**Specifications**

Connection/Mounting Type	Parallel/DIN Rail mount
Standards Compliance	UL 1449, CSA C22.2, No. 8, IEC 61643-1, EN 61643-11
Certifications	URus recognized, CE marked, CSA
Conductor Material	Cu, solid or stranded
Conductor Range	#9...3 AWG (6...35 mm <sup>2</sup> )
Strip Length	0.6 in. (16 mm)
Tightening Torque	31...35.4 lb•in. (3.5...4 N•m)
No. of Conductors/Terminal	1
Operating Temperature	-40...+80 °C

**Approximate Dimensions**

**Note:** Dimensions are shown in millimeters. Dimensions are not intended for manufacturing purposes.

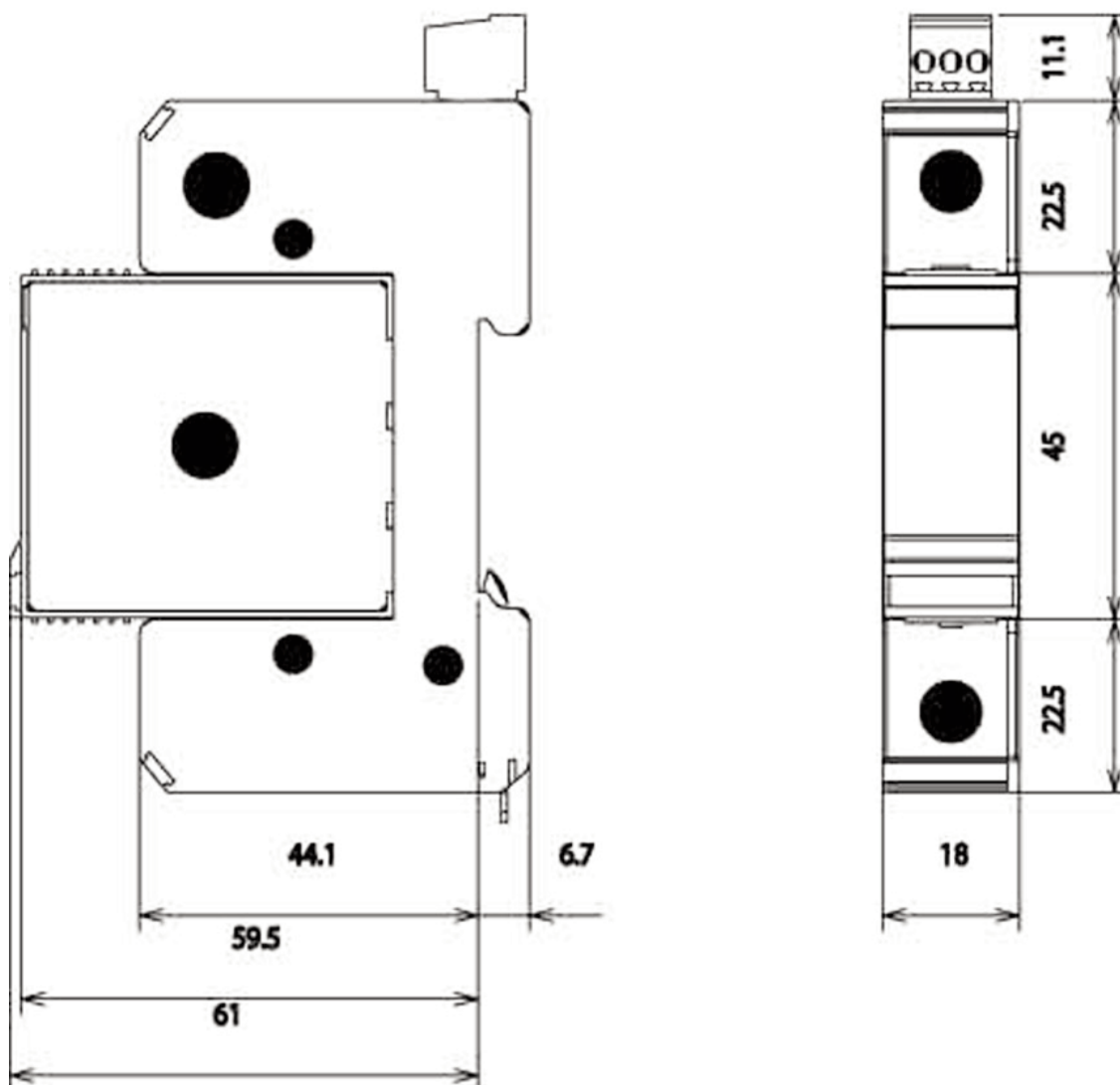


Specifications

Connection/Mounting Type	Parallel/DIN Rail mount
Standards Compliance	UL 1449, CSA 22.2 No.8, IEC 61643-1, EN 61643-11
Certifications	cURus, CSA, CE marked
Conductor Material	Cu, solid or stranded
Conductor Range	#13...4 AWG (2.5...25 mm <sup>2</sup> )
Strip Length	0.5 in. (13 mm)
Tightening Torque	17.8...22.1 lb•in. (2.0...2.5 N•m)
No. of Conductors/Terminal	1
Operating Temperature	-40...+80 °C

Approximate Dimensions

**Note:** Dimensions are shown in millimeters. Dimensions are not intended for manufacturing purposes.

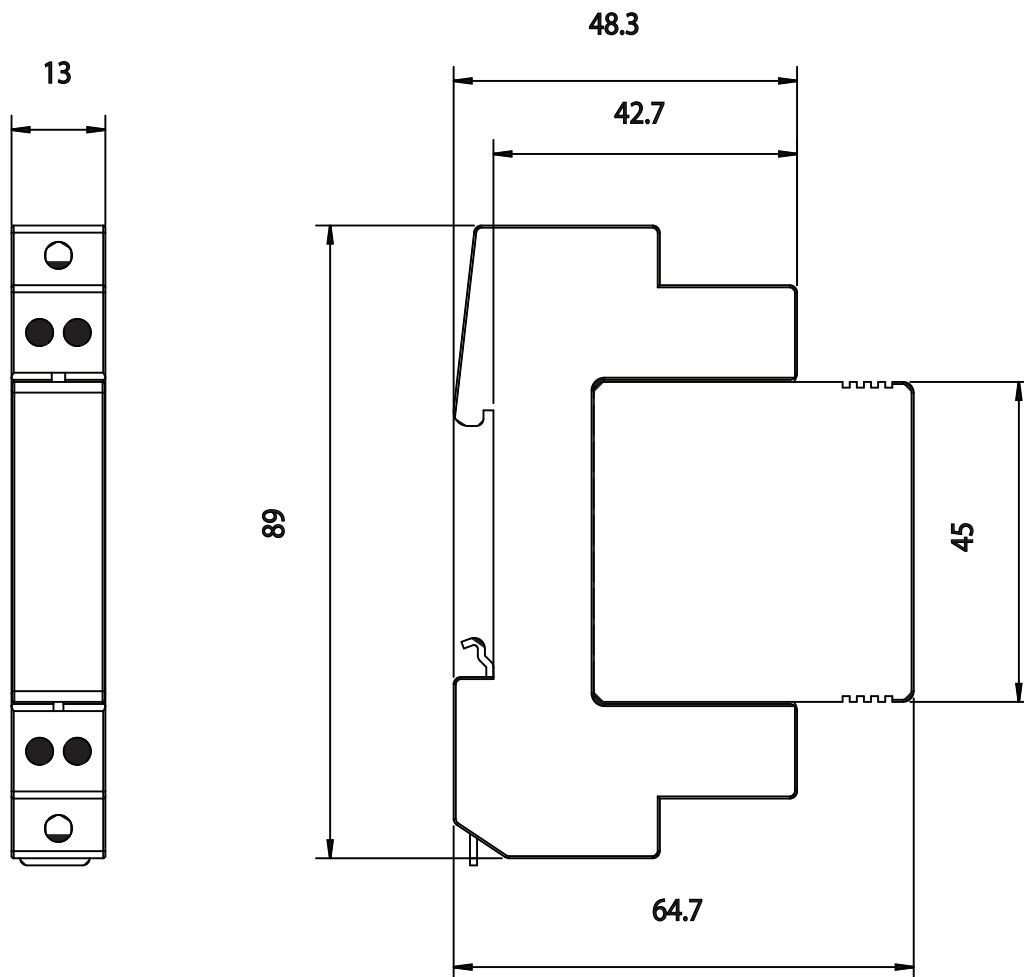


**Specifications**

Connection/Mounting Type	Series/DIN Rail mount
Standards Compliance	UL 497B, IEC 61643-21
Certifications	CE Marked, UL Listed
Conductor Material	Cu, solid or stranded
Conductor Range	#21...16 AWG (0.4...1.5 mm <sup>2</sup> )
Strip Length	0.2 in. (5 mm)
Tightening Torque	4.4 lb•in (0.5 N•m)
No. of Conductors/Terminal	1
Operating Temperature	-40...+80 °C

**Approximate Dimensions**

**Note:** Dimensions are shown in millimeters. Dimensions are not intended for manufacturing purposes.

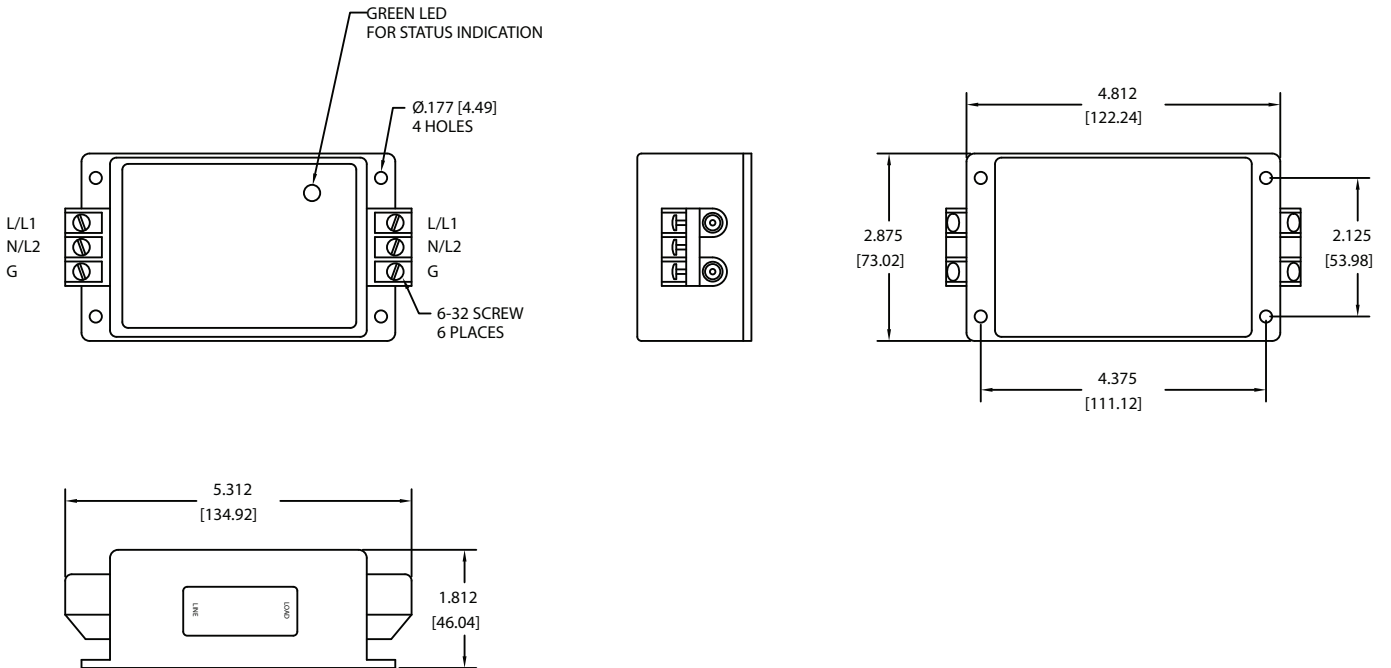


Specifications

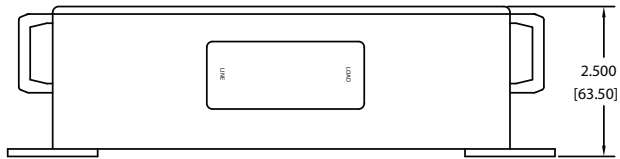
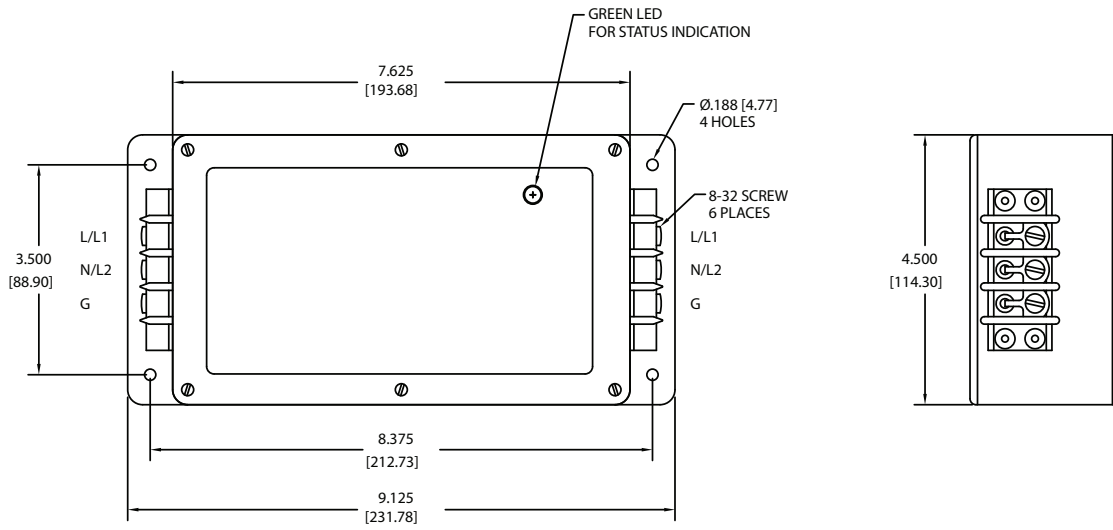
Connection/Mounting Type	Series/Panel (Flange) mount
Enclosure	Grey, high-impact plastic, 94V-0, product label
Approximate Weight	2.5 A — 1.5 lb 5.0 A — 1.5 lb 15 A — 4 lb 30 A — 6.5 lb
Modes of Protection	Line — Neutral Line — Line Line — PE Neutral — PE
Certifications	UR recognized component, CE Marked
Typical Cat. A Ringwave Rating	< 10V peak
Typical Cat. B Ringwave Rating	< 50V peak
Status Indication	Single green LED for power indication
Response Time	Normal mode: < 0.5 ns Common Mode: < 5 ns
Operating Temperature	-40...+60 °C derate linearly to 60% @ +70 °C
Fusing	Appropriate external fusing is required
Frequency Response (Forward - Reverse) 100 kHz...50 MHz	Normal Mode — 90 dB min. Common Mode — 60 dB min. 3 kHz cut-off frequency
Peak Surge Current Capability (8 x 20 μs) <b>All Mode Unit</b> Line to Neutral Line to Ground Neutral to Ground	15 kA 15 kA 15 kA

Approximate Dimensions

**Note:** Dimensions are shown in inches (millimeters). Dimensions are not intended for manufacturing purposes.

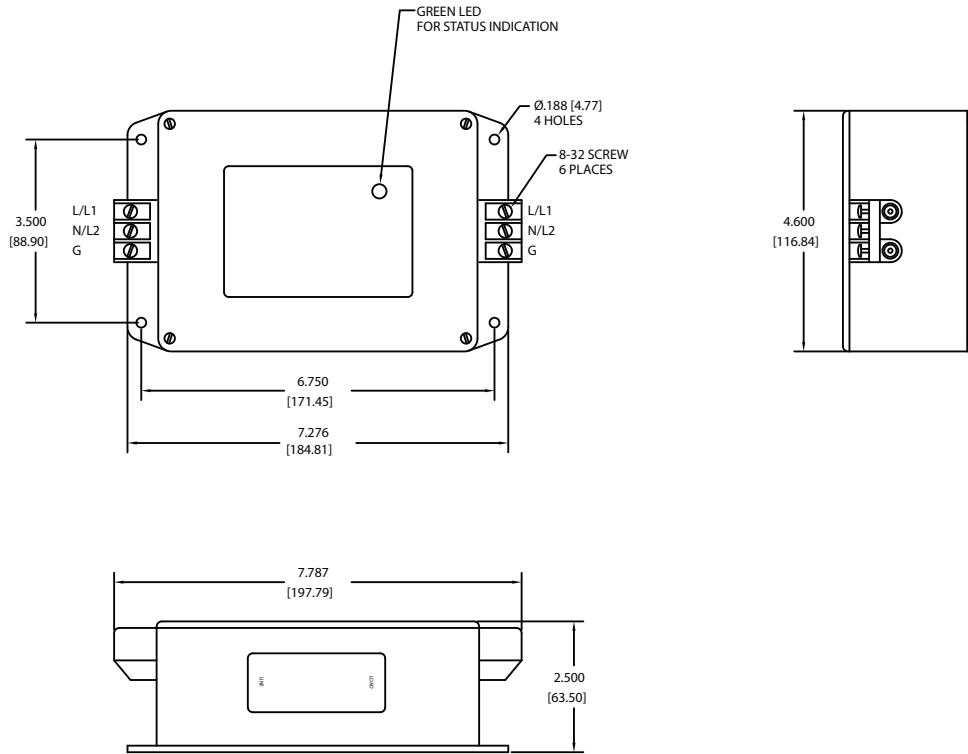


**Note:** Dimensions are shown in inches (millimeters). Dimensions are not intended for manufacturing purposes.

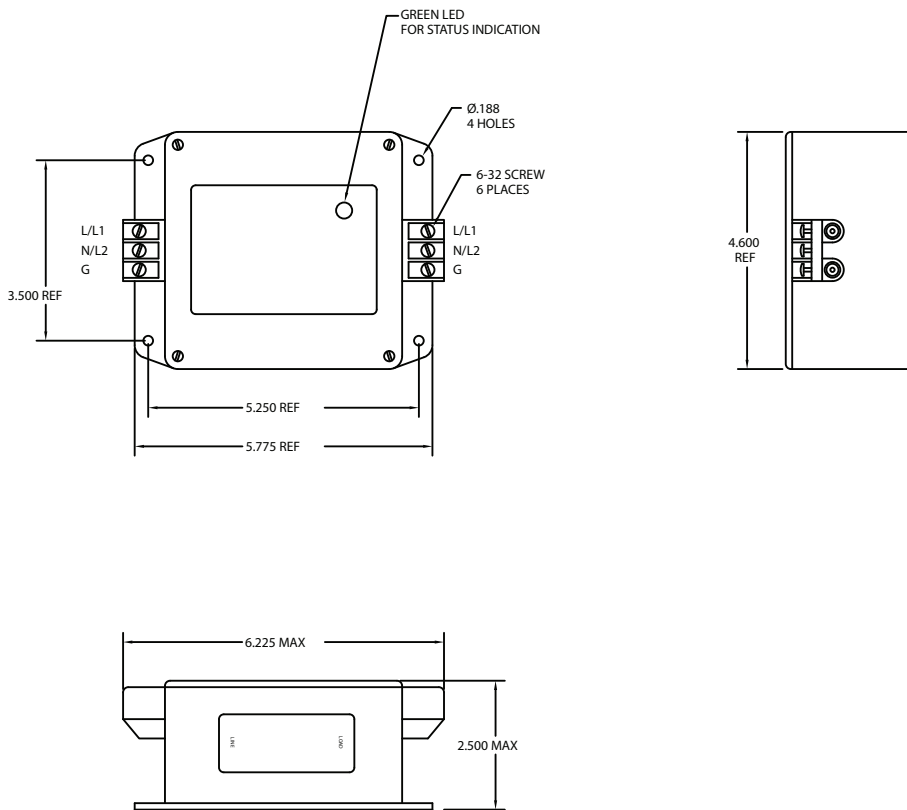


**Cat. Nos. 4983-PF120-30, -PF240-15, -PF240-30**

**Note:** Dimensions are shown in inches (millimeters). Dimensions are not intended for manufacturing purposes.



**Cat. Nos. 4983-PF120-15**



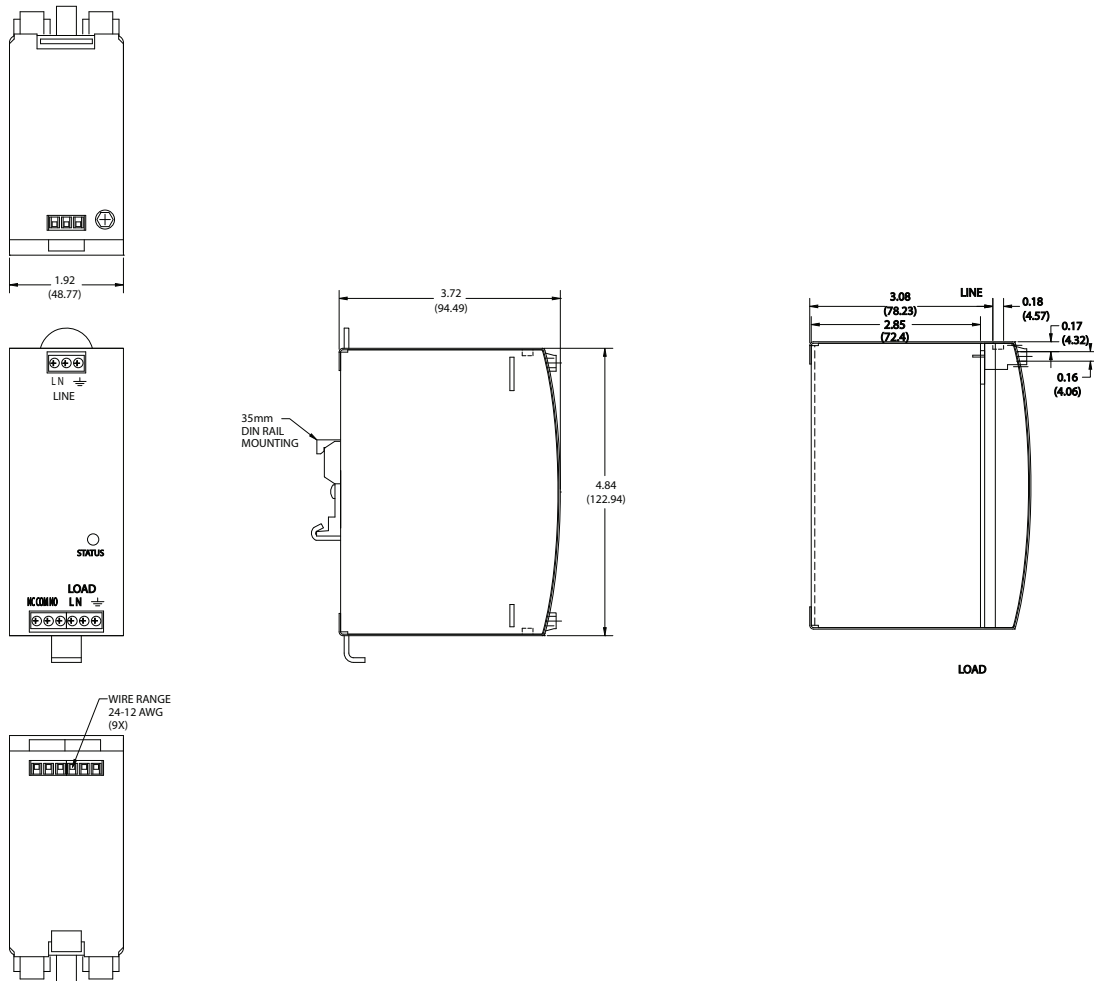
**Cat. No. 4983-PF240-05**

Specifications

Connection/Mounting Type	Series/DIN Rail mount
Enclosure	Metal, DIN Rail mount, product label
Approximate Weight	3 A — 1 lb 5 A — 1 lb 10 A — 1.5 lbs 20 A — 1.5 lbs
Modes of Protection	Line — Neutral Line — Line Line — PE Neutral — PE
Certifications	UR Recognized, CSA, CE Marked
Typical Cat. A Ringwave Rating	< 60V peak
Typical Cat. B Ringwave Rating	< 100V peak
Status Indication	Single green LED indicating MOV integrity Single form C contact (10 A @ 250V AC, 5 A @ 100V DC)
Response Time	Normal mode: < 0.5 ns Common Mode: < 5 ns
Operating Temperature	-40...+60 °C derate linearly to 60% @ +70 °C
Fusing	Appropriate external fusing is required
Frequency Response 100 kHz...50 MHz	Normal Mode (100 kHz...50 MHz) — 90 dB min. Common Mode (5...50MHz) — 60 dB min. 50 kHz cut-off frequency

Approximate Dimensions

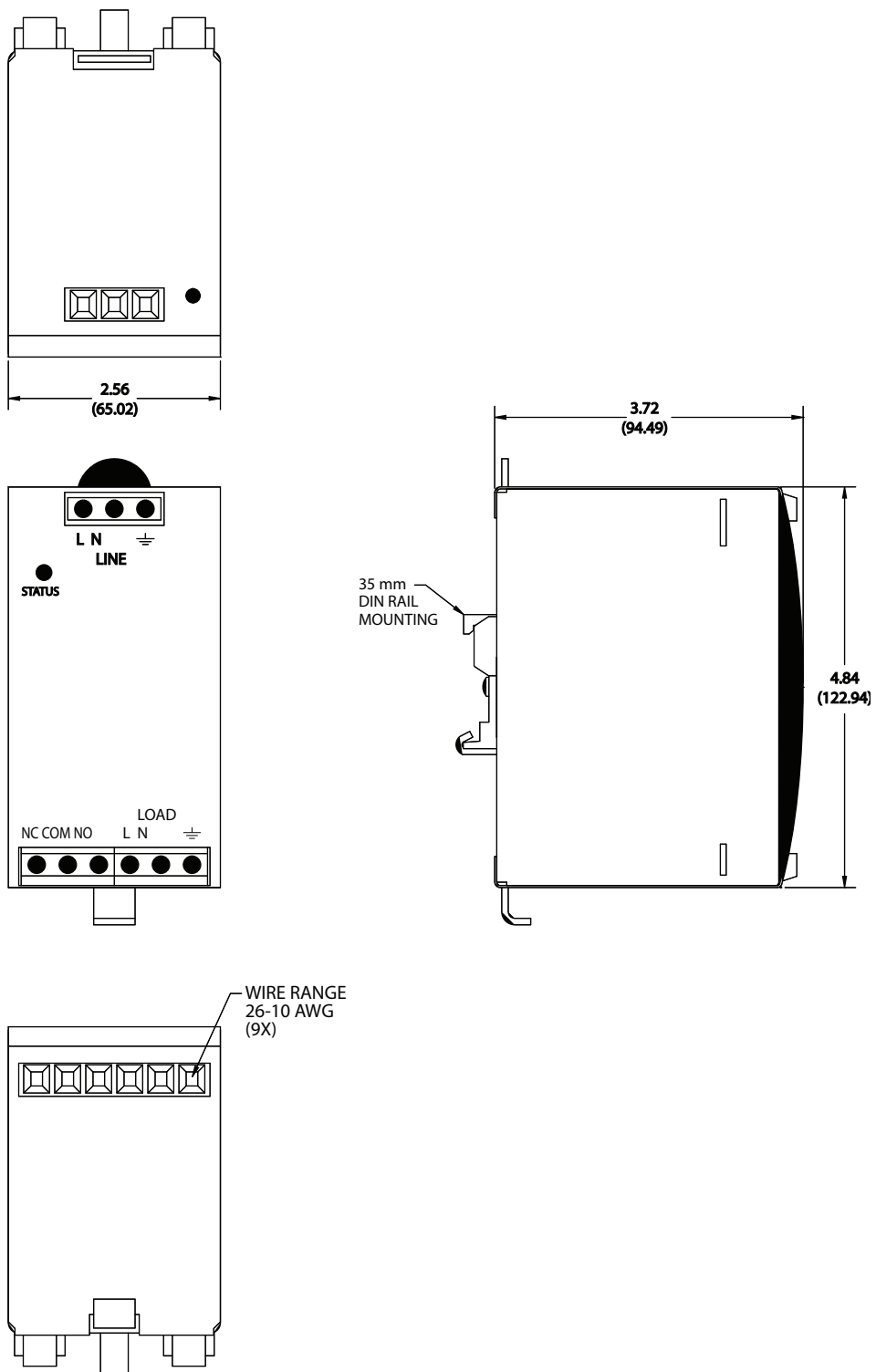
**Note:** Dimensions are shown in inches (millimeters). Dimensions are not intended for manufacturing purposes.



Cat. Nos. 4983-DCxxx-03, -DCxxx-05



**Note:** Dimensions are shown in inches (millimeters). Dimensions are not intended for manufacturing purposes.



Cat. Nos. 4983-DCxxx-10, -DCxxx-20

## Important User Information

Read this document and the documents listed in the additional resources section about installation, configuration, and operation of this equipment before you install, configure, operate, or maintain this product. Users are required to familiarize themselves with installation and wiring instructions in addition to requirements of all applicable codes, laws, and standards.

Activities including installation, adjustments, putting into service, use, assembly, disassembly, and maintenance are required to be carried out by suitably trained personnel in accordance with applicable code of practice.

If this equipment is used in a manner not specified by the manufacturer, the protection provided by the equipment may be impaired.

In no event will Rockwell Automation, Inc. be responsible or liable for indirect or consequential damages resulting from the use or application of this equipment.

The examples and diagrams in this manual are included solely for illustrative purposes. Because of the many variables and requirements associated with any particular installation, Rockwell Automation, Inc. cannot assume responsibility or liability for actual use based on the examples and diagrams.

No patent liability is assumed by Rockwell Automation, Inc. with respect to use of information, circuits, equipment, or software described in this manual.

Reproduction of the contents of this manual, in whole or in part, without written permission of Rockwell Automation, Inc., is prohibited.

## Documentation Feedback

Your comments will help us serve your documentation needs better. If you have any suggestions on how to improve this document, complete this form, publication [RA-DU002](#), available at <http://www.rockwellautomation.com/literature/>.

Allen-Bradley, Rockwell Software, Rockwell Automation, and LISTEN. THINK. SOLVE are trademarks of Rockwell Automation, Inc.  
Trademarks not belonging to Rockwell Automation are property of their respective companies.

Rockwell Otomasyon Ticaret A.Ş., Kar Plaza İş Merkezi E Blok Kat:6 34752 İçerenköy, İstanbul, Tel: +90 (216) 5698400

**[www.rockwellautomation.com](http://www.rockwellautomation.com)**

---

### Power, Control and Information Solutions Headquarters

Americas: Rockwell Automation, 1201 South Second Street, Milwaukee, WI 53204-2496 USA, Tel: (1) 414.382.2000, Fax: (1) 414.382.4444  
Europe/Middle East/Africa: Rockwell Automation NV, Pegasus Park, De Kleetlaan 12a, 1831 Diegem, Belgium, Tel: (32) 2 663 0600, Fax: (32) 2 663 0640  
Asia Pacific: Rockwell Automation, Level 14, Core F, Cyberport 3, 100 Cyberport Road, Hong Kong, Tel: (852) 2887 4788, Fax: (852) 2508 1846